

HyperSpike® Encompass Mounting Instructions



This manual contains information that is proprietary to Ultra Electronics – USSI. It is intended solely for the education and use of parties operating and maintaining the equipment described herein.

-----WARNING-----
EXPORT, RE-EXPORT, AND TRANSFER OF THIS TECHNICAL DATA IS REGULATED BY US EXPORT ADMINISTRATION
REGULATIONS AND MAY BE SUBJECT TO LICENSING REQUIREMENTS FROM THE BUREAU OF INDUSTRY AND SECURITY.

Contents

1. General Outdoor Installation	1
2. Floor Mount Kit	2
3. Wall Mount Kit	3
4. Pole Mount Kit	4
5. Warranty	7
5.1. Failures Not Covered by This Warranty	7
5.2. Limitation of Implied Warranties	7
5.3. Exclusion of Certain Damages	7

SAFETY PRECAUTIONS

The HyperSpike® Encompass Cabinet uses high operating voltages and sound levels. The primary safety risks are: 1) electrical shock and 2) hearing damage or loss. Only properly-trained personnel should operate the Encompass Cabinet and abide by the critical safety warnings identified in the user manual to prevent injury or death during operation.

WARNING:

**LIFE-THREATENING ELECTRIC SHOCK BY ELECTROCUTION.
100 - 250 VAC IS PRESENT WHEN ENERGIZED.**

Always plug the unit into properly-grounded electrical outlets.
Never allow any part of the system to sit in pooled water, or to be immersed in water.
Do not operate the device if the power cable is pinched, frayed, or cut.

Sound Safety Measures

The National Institute for Occupational Safety and Health (NIOSH) recognizes 120 dB as the threshold of pain for unprotected hearing. Operators should wear hearing protection and ensure that personnel are not directly in front of the device, at close range, when the power is ON.

1. General Outdoor Installation

For outdoor installations, the Encompass Cabinet mounting systems will require existing holes to be covered with the seal washers supplied with the cabinet or supplied with referenced mount kits. It is important that the washer be installed correctly to achieve a proper seal. The washer should be installed on the inside of the cabinet with the rubber side against the enclosure and tightened until it is flat.

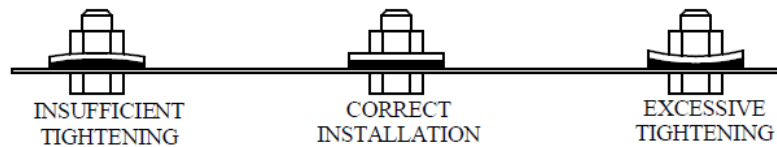


Figure 1 – Correct Seal Washer Installation

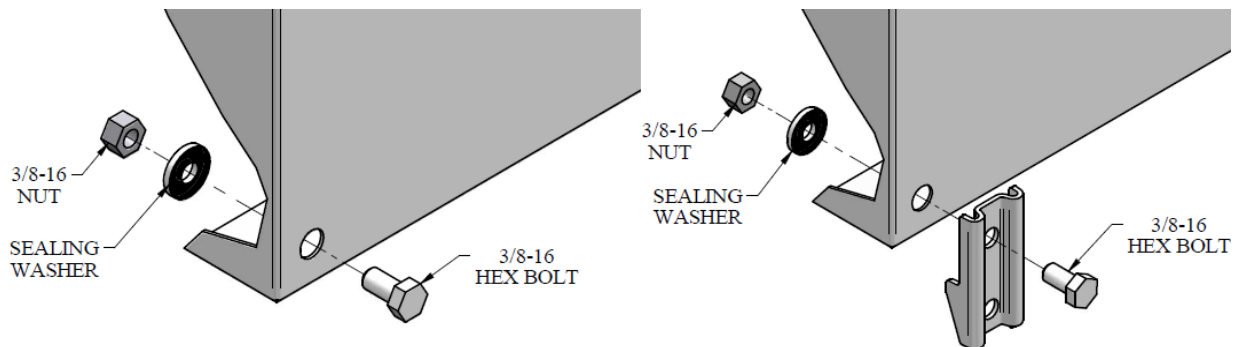


Figure 2 – Examples of Correct Mounting Hardware Assembly

2. Floor Mount Kit

The Floor Mount Kit raises the cabinet 12" off the floor. The kit comes with hardware for fastening the cabinet to the wall or the cabinet can be fastened to the floor. See installation included with Floor Mount Kit.

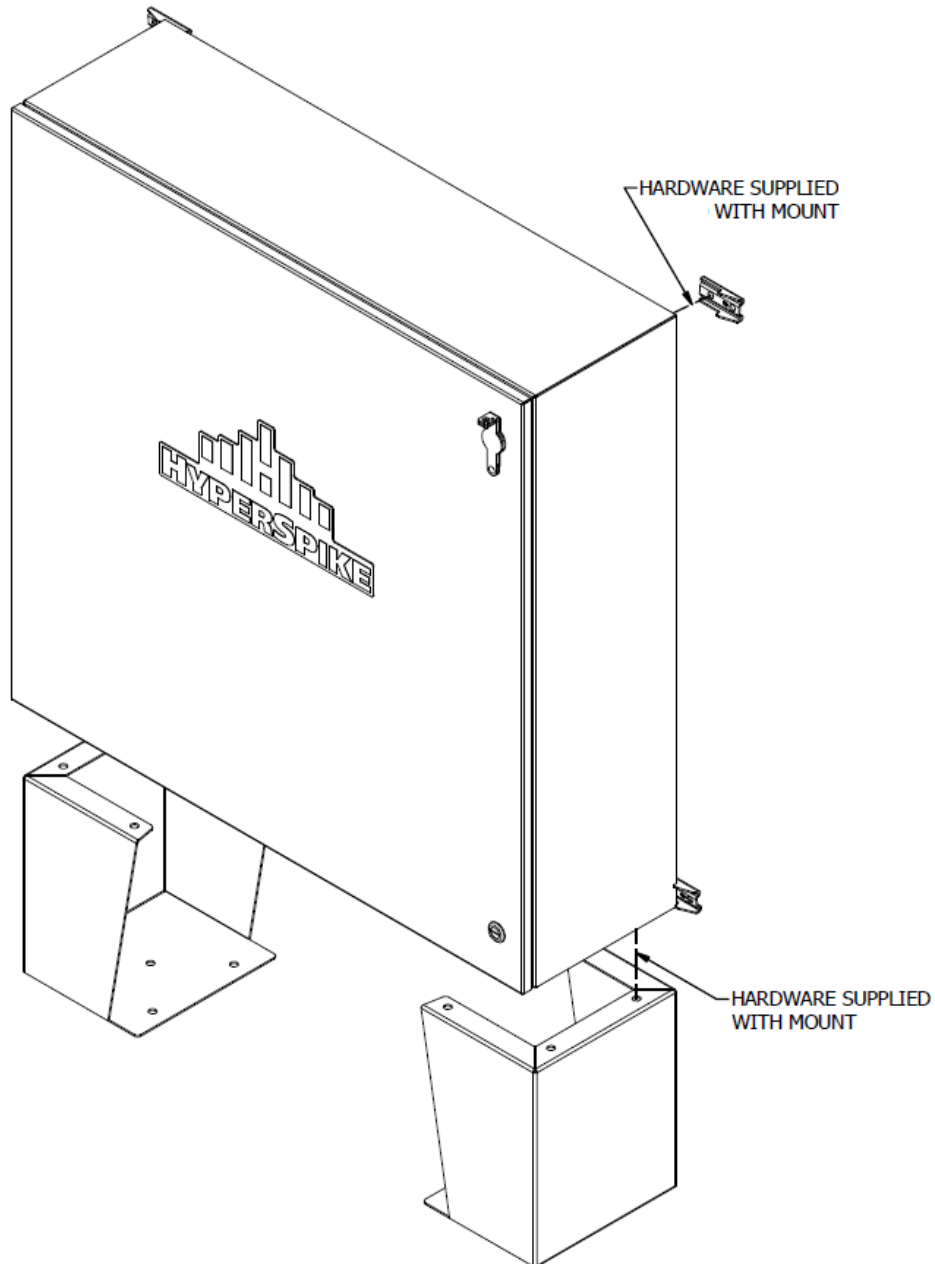


Figure 3 – Cabinet Floor Mount

3. Wall Mount Kit

The Wall Mount Kit allows the cabinet to be fastened to a wall at any height. The mount is designed with a shelf so it can be mounted to the wall before attaching the cabinet.

⚠ IMPORTANT: The Encompass Cabinet with batteries and wall mount can weigh up to 450 Lb. Wall structures can vary greatly. Add strengthening members as needed to support the weight and follow appropriate local codes.

1. Install mount to wall with appropriate hardware for your installation (hardware not included).
2. Attach Adapter Plates to cabinet using the supplied sealing hardware from cabinet. Be sure to follow the general mounting instructions when installing hardware.
3. Install cabinet with adapter plates onto mount using the supplied hardware.

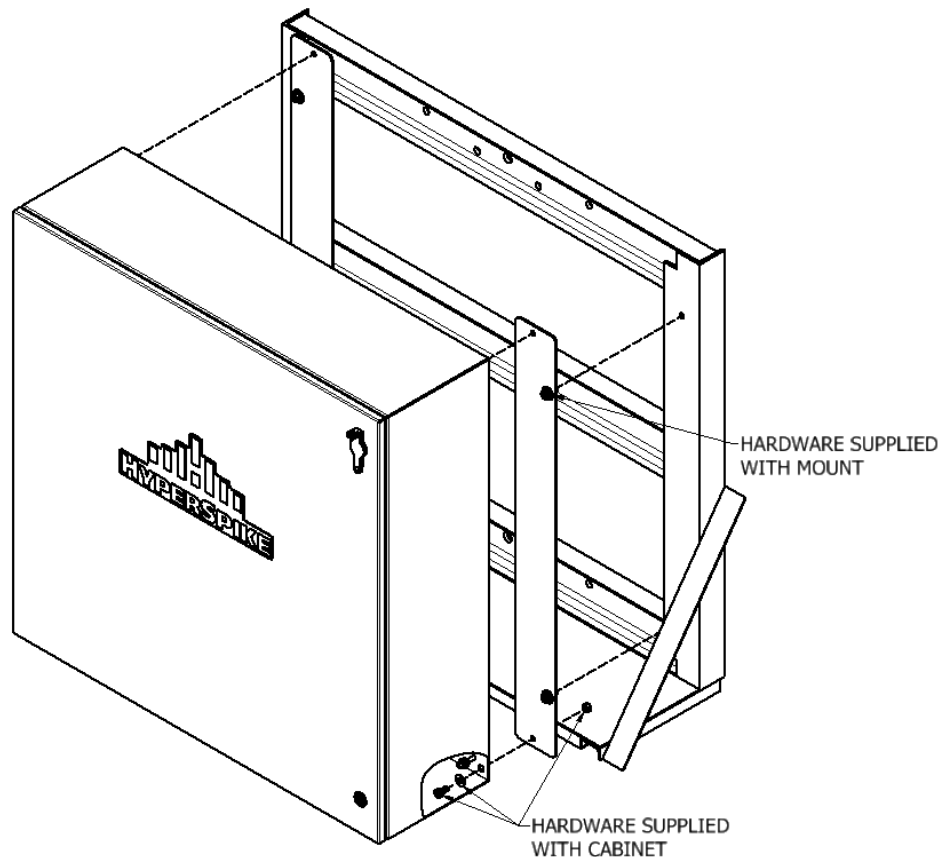


Figure 4 – Cabinet Wall Mount

4. Pole Mount Kit

The Pole Mount Kit is designed to mount to the Wall Mount Kit (72539B-801). The mount accepts an 8- to 14-inch diameter pole. The mount is designed with a shelf so it can be mounted to a pole before attaching the cabinet.



The Encompass Cabinet with batteries and pole mount can weigh 500 Lb. Verify that the pole can support this amount of weight. Wind loading can add to the stress on the pole. Follow appropriate local codes regarding pole mounting.

Required customer-supplied hardware:

- 12X 5/8" – 11 Grade 8 Bolt (See Table 1 for recommend length)
- 24X 5/8" Flat Lock Washer
- 12X 5/8" Split Lock Washer
- 12X 5/8" – 11 Hex Nut

Zinc plated / coated steel hardware is recommended.

MINIMUM BOLT LENGTH	
POLE DIAMETER	BOLT LENGTH (L)
14.0	11.0
13.0	10.0
12.0	8.5
11.0	7.5
10.0	6.0
9.0	5.0
8.0	3.5

Table 1 – Pole Mount Minimum Bolt Length

1. Install 2x Clamp A to Wall Mount Kit with 1/2-13 hardware supplied with Pole Mount Kit.

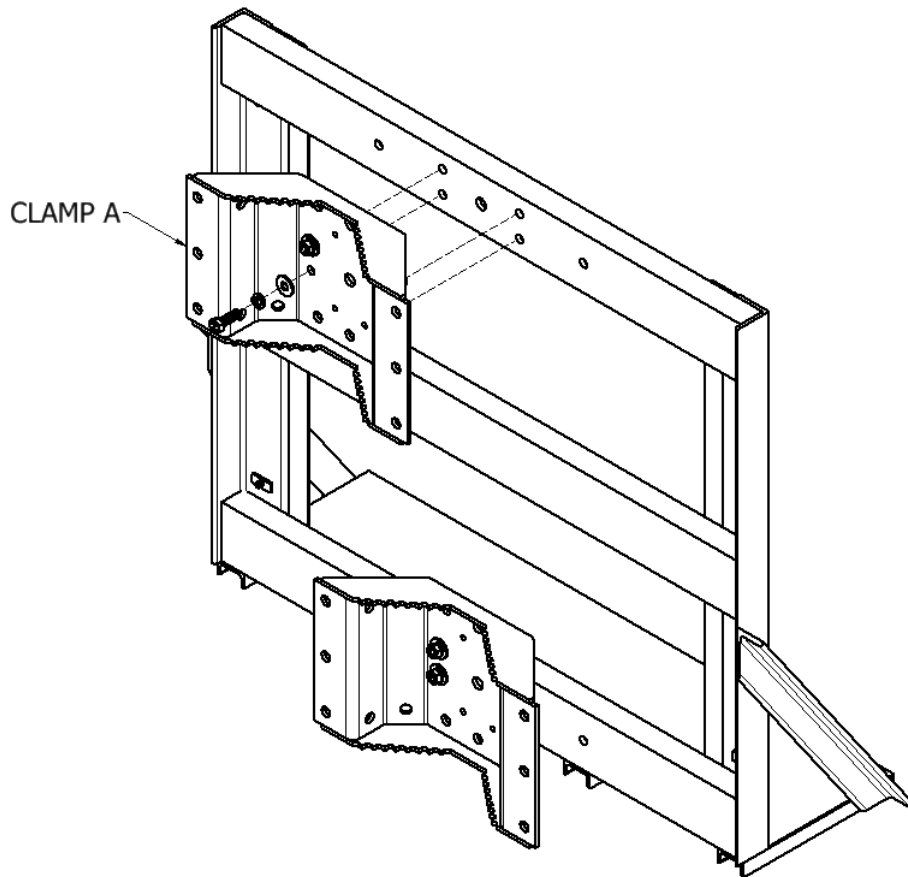


Figure 5 – Wall Mount Kit with Clamps

2. Tighten Clamps A and B around the pole using the customer-supplied hardware.
3. Attach Adapter Plates from Wall Mount Kit to cabinet using the supplied sealing hardware from cabinet. Be sure to follow the general mounting instructions when installing hardware.
4. Install cabinet with adapter plates onto wall mount using the supplied hardware from the Wall Mount Kit.

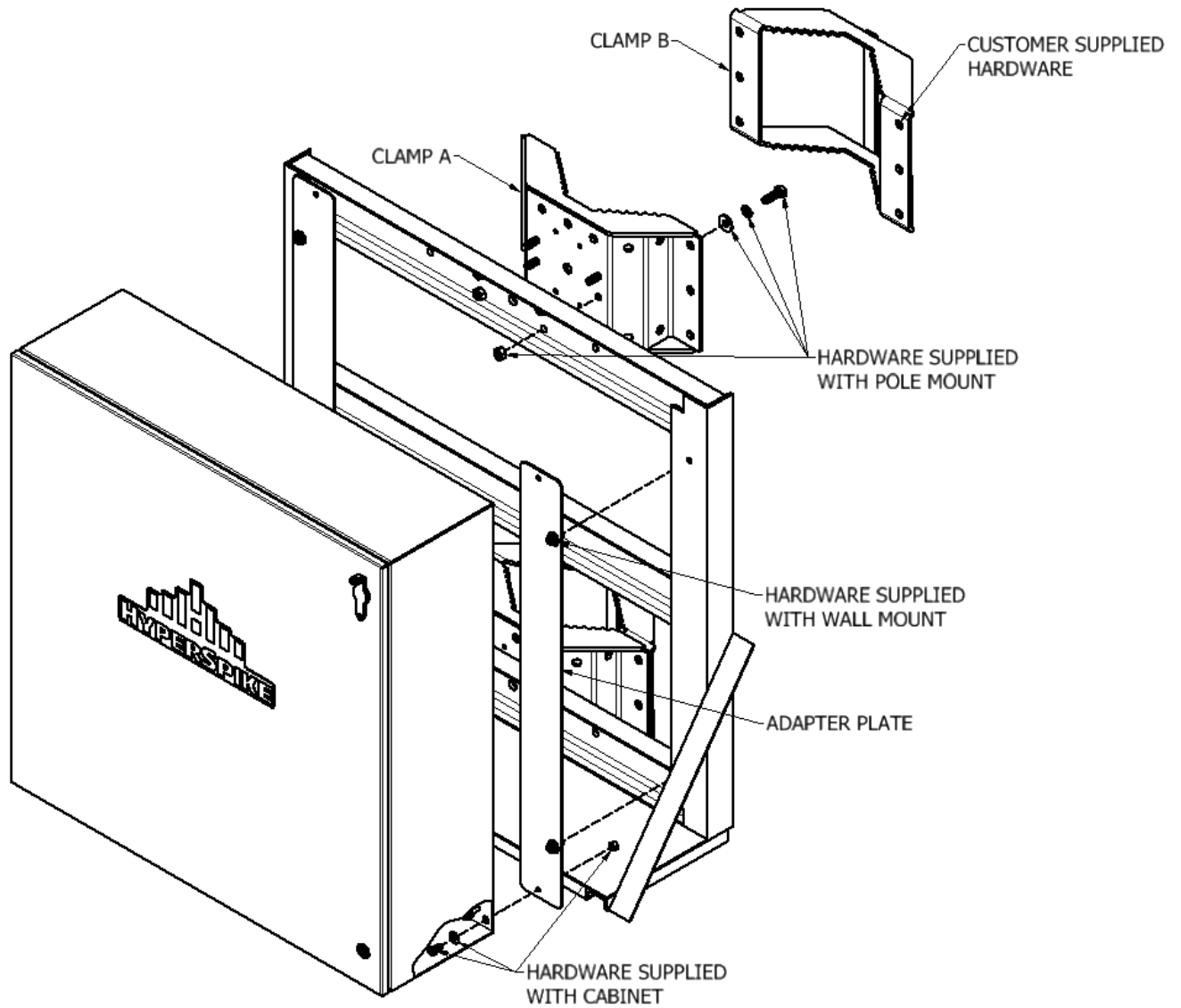


Figure 6 – Cabinet Pole Mount

5. Warranty

Ultra Electronics – USSI warrants its products to be free from defects in material and workmanship for a period of one (1) year from the date of shipment from USSI's facility. This warranty is extended to the original purchaser and all subsequent owners, provided a copy of the original dated bill of sale is presented when service is requested under warranty.

If your product should require service, write, phone, fax, or e-mail Ultra Electronics – USSI at:

Ultra Electronics – USSI
4868 East Park 30 Drive
Columbia City, IN 46725
Phone: 260-248-3665
Fax: 260-248-3510
E-mail: ServiceDepartment@ultra-ussi.com
URL: www.ultra-HyperSpike.com

We will either direct you to a local service agency or provide you with a Return Material Authorization (RMA) number so that you can ship the product to our factory. Do not ship the product to us without first obtaining an RMA number. Place the RMA number on all boxes returned to the factory to prevent equipment from being lost or mishandled. Merchandise returned to us for service under warranty must be accompanied by a copy of the original bill of sale, and shipped prepaid. You are responsible for transporting your product to our factory. We will pay the return shipping charges on all products repaired under warranty.

5.1. Failures Not Covered by This Warranty

This warranty covers manufacturing defects. The warranty **DOES NOT** cover:

- 1) Damage caused by accident, misuse, abuse, product modification, or neglect.
- 2) Damage incurred during shipment (you must claim these damages from the carrier).
- 3) Damage resulting from failure to operate the product in accordance with the instruction manual.
- 4) Damage resulting from attempted repairs by unauthorized personnel.
- 5) Claims based on any perceived agreement not explicitly stated in this warranty such as conversations with service personnel or sales representatives.

5.2. Limitation of Implied Warranties

All implied warranties, including warranties of merchantability, are limited in duration to a period of one (1) year from the date of shipment from Ultra Electronics – USSI.

5.3. Exclusion of Certain Damages

Ultra's liability is limited to the repair or replacement, at our option, of any defective product, and shall in no event include incidental or consequential commercial damages of any kind. Some states do not allow the exclusion or limitation of incidental or consequential damages, so the preceding limitation or exclusion may not apply to you.

For further information regarding this warranty, parts, or service, please contact Ultra Electronics – USSI through one of the methods listed at the beginning of this warranty section.



Ultra Electronics – USSI
4868 East Park 30 Drive
Columbia City, IN 46725 USA
+1-260-248-3666